

## H1008A,D Automatic Humidity Controls

### PRODUCT DATA



### FEATURES

- The H1008A,D provides automatic control for by-pass flow-through, powered flow-through, steam and drum humidifiers in central heating systems.
- The H1008D also provides automatic control for dehumidification using heat/energy recovery ventilators or dehumidifiers.
- Patented Honeywell HumidiCalc+™ Software eliminates the need for an outdoor sensor on the most common single-stage, gas or oil forced air equipment.
- Combination temperature and humidity sensor accurately determines the dewpoint at the control location.
- Equipment connection can eliminate the need for a current sensing relay on the blower.
- Simple duct mount requires only a 3/4 in. (19 mm) circular duct opening for sensors.
- With the use of the C7089H Outdoor Temperature Sensor, the H1008A,D also provides automatic humidity control in heat pump and multi-stage systems.
- Automatically adjusts humidity level based on the frost factor set by the homeowner.
- Frost factor input allows for variances in furnace oversizing, window insulation and average daily climate temperature.
- System status light indicates normal operation, test mode and fault indication.

### APPLICATION

The H1008A,D Automatic Humidity Controls with HumidiCalc+™ Software are duct mounted and provide automatic, low voltage, electronic control of by-pass flow-through, powered flow-through, steam and drum humidifiers in central heating systems. The H1008D also controls heat/energy recovery units and dehumidifiers. The H1008A,D are designed to automatically adjust the humidity level based on indoor temperature and humidity, inferred or measured outdoor temperature and the setting of the frost factor dial. The frost factor setting is used to maintain a comfortable humidity level in the home while reducing moisture condensation on inside windows. The HumidiCalc+™ Software infers the outdoor temperature by monitoring the equipment cycles and eliminates the need for an outdoor temperature sensor when used on single-stage gas or oil furnaces. With the use of the C7089H Outdoor Temperature Sensor (purchased separately), the H1008A,D also provide automatic humidity control in heat pump and multi-stage systems.

### Contents

Application .....	1
Features .....	1
Specifications .....	2
Ordering Information .....	2
Installation .....	2
Wiring .....	4
Settings .....	7
System Status .....	7
Checkout .....	8



## SPECIFICATIONS

### IMPORTANT

The specifications given in this publication do not include normal manufacturing tolerances. Therefore, this unit may not exactly match the listed specifications. Also, this product is tested under closely controlled conditions and some minor differences in performance can be expected if those conditions are changed

### TRADELINER<sup>®</sup> Models:

H1008A,D Automatic Humidity Control with HumidiCalc+™  
Software: Includes template and four mounting screws.

### Electrical Ratings:

Power Supply: 18-30 Vac, 60 Hz.

Power Consumption: 2.5 VA at 27 Vac.

Relay Contacts:

Inductive: 2A full load, 10A locked rotor at 24 Vac.

Resistive: 2A

Thermostat/Furnace Load: 11 mA maximum at 24 Vac.

### Temperature Ratings:

Operating Range: 45° to 88°F (7° to 31°C).

Storage Range: -40°F to 150°F (-40° to 66°C).

### Humidity Ratings:

Always dehumidifies at 58° and above dewpoint.

Allows humidification/dehumidification at 50°F and below dewpoint.

Does not allow humidification when dewpoint is above 50°F.

### Dimensions:

Refer to Fig. 1.

### Accessories:

C7089H Outdoor Temperature Sensor.

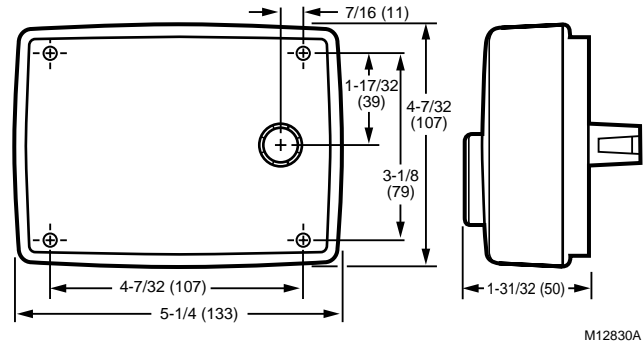


Fig. 1. H1008A,D dimensions in in. (mm).

## INSTALLATION

### When Installing this Product...

1. Read these instructions carefully. Failure to follow them could damage the product or cause a hazardous condition.
2. Check the ratings given in the instructions and on the product to make sure the product is suitable for your application.
3. Installer must be a trained, experienced service technician.
4. After installation is complete, check out product operation as provided in these instructions.



## CAUTION

**Voltage Hazard.**

**Power supply can cause electrical shock.**

Disconnect power supply before beginning installation.

## ORDERING INFORMATION

When purchasing replacement and modernization products from your TRADELINE<sup>®</sup> wholesaler or distributor, refer to the TRADELINE<sup>®</sup> Catalog or price sheets for complete ordering number.

If you have additional questions, need further information, or would like to comment on our products or services, please write or phone:

1. Your local Home and Building Control Sales Office (check white pages of your phone directory).
2. Home and Building Control Customer Logistics  
Honeywell Inc., 1885 Douglas Drive North  
Minneapolis, Minnesota 55422-4386 (612) 951-1000

In Canada—Honeywell Limited/Honeywell Limitée, 155 Gordon Baker Road, North York, Ontario M2H 3N7.

International Sales and Service Offices in all principal cities of the world. Manufacturing in Australia, Canada, Finland, France, Germany, Japan, Mexico, Netherlands, Spain, Taiwan, United Kingdom, U.S.A.

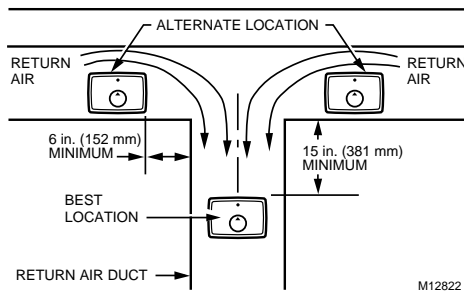
## Location and Mounting

### H1008A,D Automatic Humidity Control

**IMPORTANT**

Do not install H1008 on supply air. Temperatures in excess of 120° F cause the control to go into error mode. If mounting near an elbow area, keep the control 6 in. (152 mm) upstream from the elbow so that the humidity and temperature sensor is exposed to the normal airflow (Fig. 2).

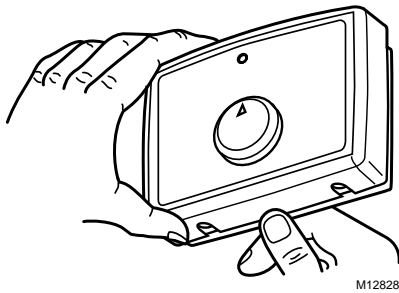
Locate the control at least 12 in. (305 mm) upstream from the humidifier (or dehumidification/ventilator supply air) in the return air duct where it can be exposed to the air stream of the return air. See Fig. 2.



**Fig. 2. Select duct location for control.**

Use the following procedure to mount the H1008A,D in the return air duct:

1. Remove the cover by placing your thumb in the bottom notch between the cover and the base and pulling out and up. See Fig. 3.



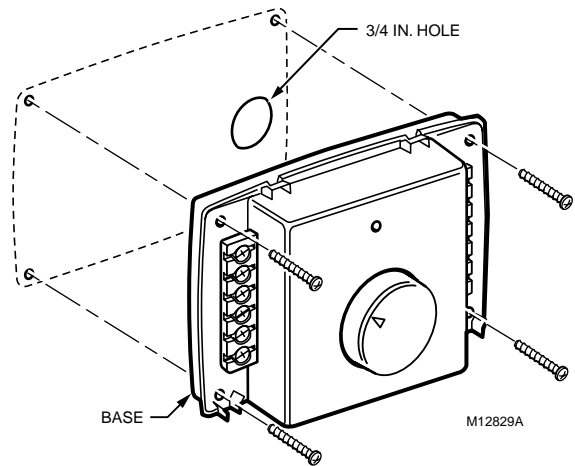
**Fig. 3. Remove cover from base.**

2. Drill 3/4 in. (19 mm) circular opening for the projection on the back of the base. See Fig. 4. Place the device on the duct and mark the mounting holes, or screw in the self-tapping screws.

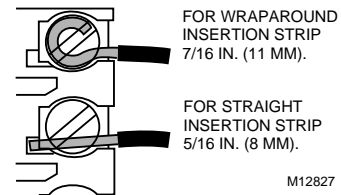
NOTE: Be sure the sheet metal surface is flat after drilling and cutting holes.

3. Mount the base on the duct using the four mounting screws provided. Tighten the screws firmly so the space between the base and the duct is seated. See Fig. 4.

4. Run a low voltage wire from the humidifier and equipment to the control terminals. See Fig. 6-11. Use either straight in or wraparound wiring connections. See Fig. 5.
5. Snap the cover onto the base.



**Fig. 4. Mount control on return air duct.**



**Fig. 5. Proper wiring technique.**

### C7089H Outdoor Temperature Sensor

NOTE: The C7089H Outdoor Temperature Sensor is required only when using the H1008A control with heat pump, multi-stage equipment or multi-zone applications.

Mount the sensor (purchased separately):

- out of direct sunlight on the North side of the house.
- at least three feet from dryer vents or other vents.
- above the expected snow line where ice and debris cannot cover it.

Use the following procedure for mounting:

1. Place the sensor in the clamp provided.
2. Insert the screw provided through the holes in the clamp and fasten the sensor in place.

## WIRING

### CAUTION

**Voltage Hazard.**  
**Power supply can cause electrical shock and injury.**  
 Disconnect power supply before installation or servicing.

All wiring must comply with applicable local codes, ordinances and regulations.

### IMPORTANT

Use 18- to 22-gauge insulated wire for proper wiring. Stranded-tinned wire is recommended.

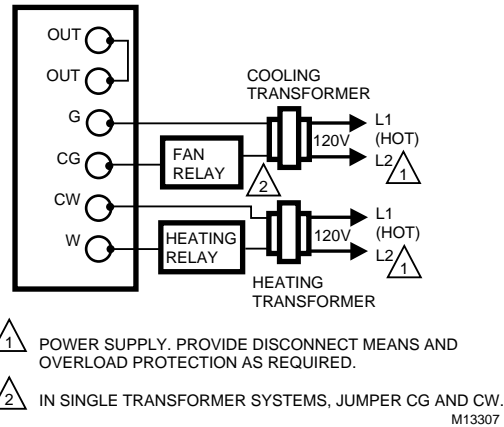
To wire the Automatic Humidity Control:

### IMPORTANT

When installing a steam-powered humidifier, be sure to cut the factory-installed steam jumper wire for proper operation.

1. Connect 24 Vac power to the 24 Vac HOT and COM terminals on the H1008A,D.
2. Connect the humidifier to the two HUM terminals on the H1008A,D as shown in Fig. 6 through 11.
3. In furnace systems with two transformers, connect CG to the cooling system transformer common and connect CW to the heating transformer common. Be sure G and W connect to the R terminals of both transformers. (If only one transformer is used, leave the jumper on CG and CW.) See Fig. 6.
4. To Wire the C7089H Outdoor Temperature Sensor, wire the sensor to the two OUT terminals on the H1008A,D.

H1008 AUTOMATIC HUMIDITY CONTROL



1 POWER SUPPLY. PROVIDE DISCONNECT MEANS AND OVERLOAD PROTECTION AS REQUIRED.

2 IN SINGLE TRANSFORMER SYSTEMS, JUMPER CG AND CW. M13307

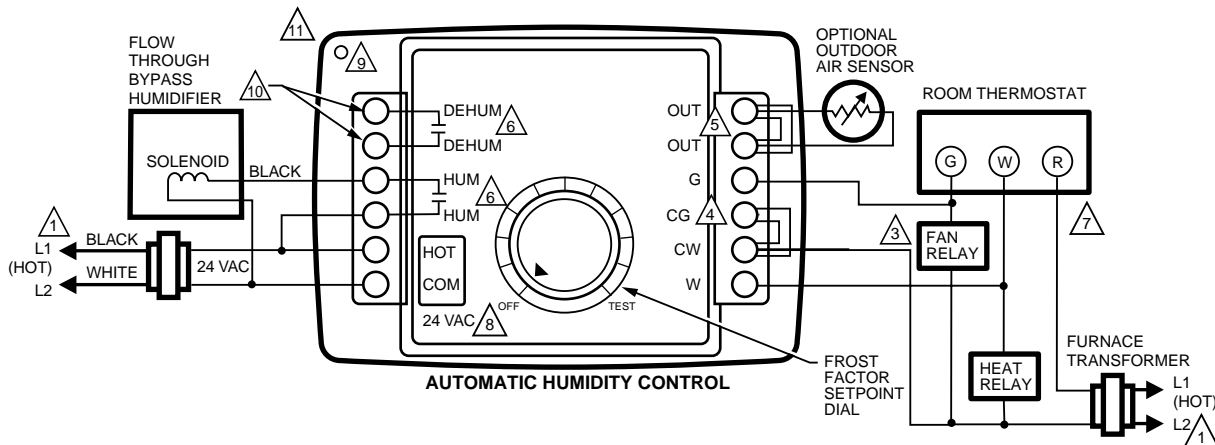
Fig. 6. Wiring for two-transformer system.

### IMPORTANT

For proper wiring, use 18- to 22-gauge wire. Stranded-tinned wire with a maximum length of 300 ft. (91m) is recommended.

NOTE: Connect the humidistat to the furnace for two reasons:

- The control can determine the outdoor temperature.
- The control knows when the furnace blower is operating, eliminating the need for current sensing relays.



1 POWER SUPPLY. PROVIDE DISCONNECT MEANS AND OVERLOAD PROTECTION AS REQUIRED.

2 24V WIRING.

3 TO PROVIDE HUMIDITY IN FAN MODE, CONNECT G AND CG TERMINALS TO FAN RELAY.

4 IN TWO TRANSFORMER SYSTEMS, REMOVE CW/CG FACTORY INSTALLED JUMPER.

5 IF USING OUTDOOR TEMPERATURE SENSOR, REMOVE FACTORY INSTALLED JUMPER.

6 ISOLATED RELAY CONTACTS.

7 HEAT ONLY APPLICATION SHOWN. SIMILAR WIRING REQUIRED IN HEAT AND COOL SYSTEM WITH ONE OR TWO TRANSFORMERS. WHEN HEAT AND FAN OPERATE SIMULTANEOUSLY WITH ONE RELAY, JUMP W TO G AND JUMP CG TO CW.

8 POWER SHOULD BE APPLIED TO THIS CONTROL AT ALL TIMES. DO NOT USE FAN BOARD HUMIDISTAT CONTACTS OR CURRENT SENSING RELAY.

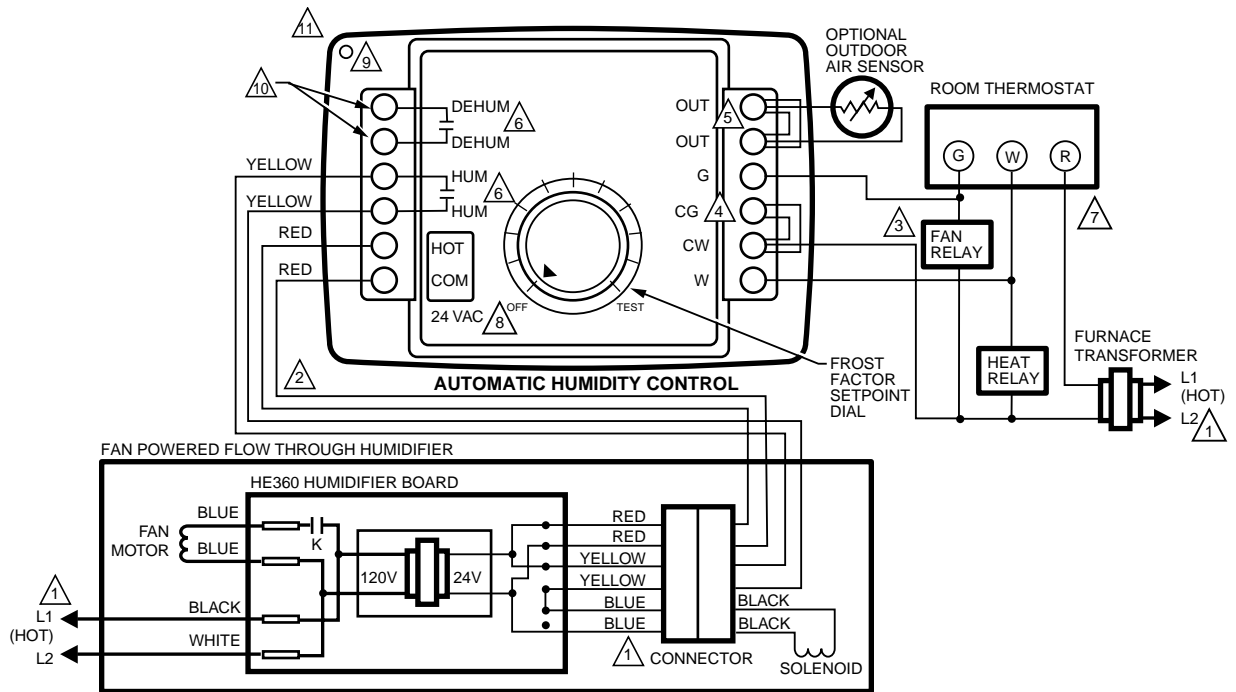
9 CUT JUMPER FOR DEHUMIDIFIER APPLICATION. (DO NOT CUT FOR VENTILATION SYSTEM.)

10 DEHUM TERMINALS SWITCH LOW VOLTAGE DEHUMIDIFIERS, HEAT/ENERGY RECOVERY UNITS OR EXTERNAL CONTACTORS THAT SWITCH HIGH VOLTAGE DEHUMIDIFIERS.

11 JUMPER AND DEHUM TERMINALS NOT PRESENT ON H1008A MODEL.

M13296

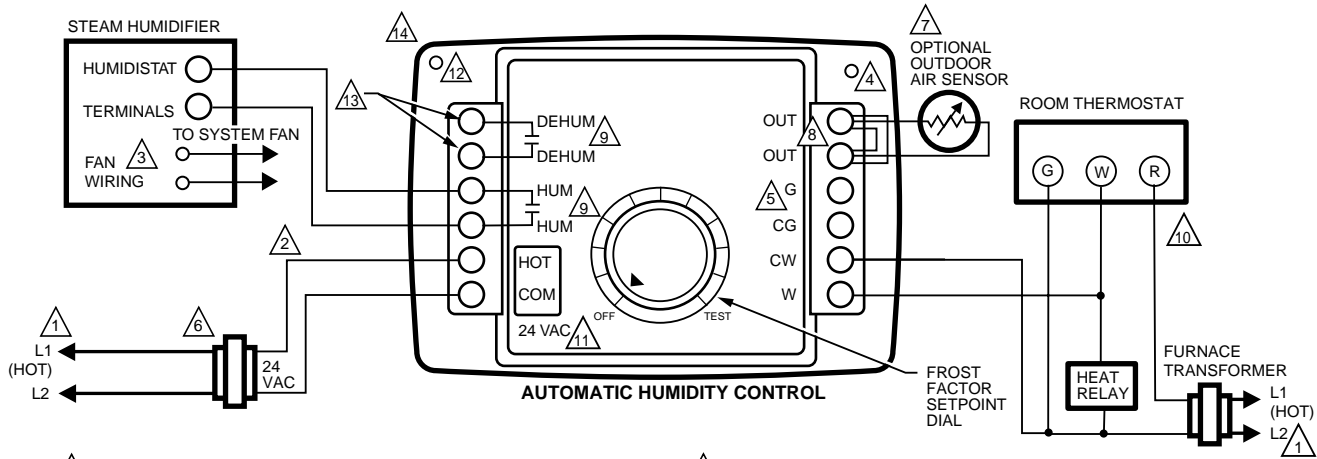
Fig. 7. Wiring for flow-through by-pass humidifiers.



- |   |  |
|---|--|
| <p>1 POWER SUPPLY. PROVIDE DISCONNECT MEANS AND OVERLOAD PROTECTION AS REQUIRED.</p> <p>2 24V WIRING.</p> <p>3 TO PROVIDE HUMIDITY IN FAN MODE, CONNECT G AND CG TERMINALS TO FAN RELAY.</p> <p>4 IN TWO TRANSFORMER SYSTEMS, REMOVE CW/CG FACTORY INSTALLED JUMPER.</p> <p>5 IF USING OUTDOOR TEMPERATURE SENSOR, REMOVE FACTORY INSTALLED JUMPER.</p> <p>6 ISOLATED RELAY CONTACTS.</p> | <p>7 HEAT ONLY APPLICATION SHOWN. SIMILAR WIRING REQUIRED IN HEAT AND COOL SYSTEM WITH ONE OR TWO TRANSFORMERS. WHEN HEAT AND FAN OPERATE SIMULTANEOUSLY WITH ONE RELAY, JUMP W TO G AND JUMP CG TO CW.</p> <p>8 POWER SHOULD BE APPLIED TO THIS CONTROL AT ALL TIMES. DO NOT USE FAN BOARD HUMIDISTAT CONTACTS OR CURRENT SENSING RELAY.</p> <p>9 CUT JUMPER FOR DEHUMIDIFIER APPLICATION. (DO NOT CUT FOR VENTILATION SYSTEM.)</p> <p>10 DEHUM TERMINALS SWITCH LOW VOLTAGE DEHUMIDIFIERS, HEAT/ENERGY RECOVERY UNITS OR EXTERNAL CONTACTORS THAT SWITCH HIGH VOLTAGE DEHUMIDIFIERS.</p> <p>11 JUMPER AND DEHUM TERMINALS NOT PRESENT ON H1008A MODEL.</p> |
|---|--|

M13295

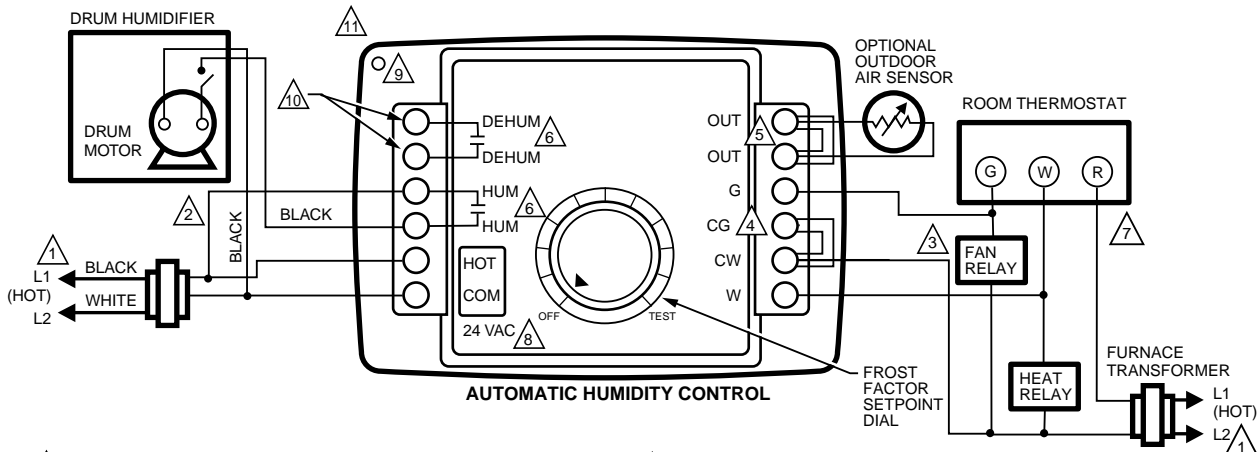
Fig. 8. Wiring for fan-powered flow-through humidifiers.



- 1 POWER SUPPLY. PROVIDE DISCONNECT MEANS AND OVERLOAD PROTECTION AS REQUIRED.
- 2 24V WIRING.
- 3 REFER TO THE STEAM HUMIDIFIER INSTALLATION INSTRUCTIONS TO WIRE SYSTEM FAN.
- 4 CUT JUMPER FOR STEAM HUMIDIFIER CONTROL.
- 5 FAN TERMINALS G AND CG NOT USED IN THIS APPLICATION.
- 6 EXTERNAL TRANSFORMER NOT PROVIDED.
- 7 IF OUTDOOR TEMPERATURE SENSOR IS NOT USED, WIRE HEAT TERMINALS W AND CW TO FURNACE.
- 8 IF USING OUTDOOR TEMPERATURE SENSOR, REMOVE FACTORY INSTALLED JUMPER.
- 9 ISOLATED RELAY CONTACTS.
- 10 HEAT ONLY APPLICATION SHOWN. SIMILAR WIRING REQUIRED IN HEAT AND COOL SYSTEM WITH ONE OR TWO TRANSFORMERS. WHEN HEAT AND FAN OPERATE SIMULTANEOUSLY WITH ONE RELAY, JUMP W TO G AND JUMP CG TO CW.
- 11 POWER SHOULD BE APPLIED TO THIS CONTROL AT ALL TIMES. DO NOT USE FAN BOARD HUMIDISTAT CONTACTS OR CURRENT SENSING RELAY.
- 12 CUT JUMPER FOR DEHUMIDIFIER APPLICATION. (DO NOT CUT FOR VENTILATION SYSTEM.)
- 13 DEHUM TERMINALS SWITCH LOW VOLTAGE DEHUMIDIFIERS, HEAT/ENERGY RECOVERY UNITS OR EXTERNAL CONTACTORS THAT SWITCH HIGH VOLTAGE DEHUMIDIFIERS.
- 14 JUMPER AND DEHUM TERMINALS NOT PRESENT ON H1008A MODEL.

M13298

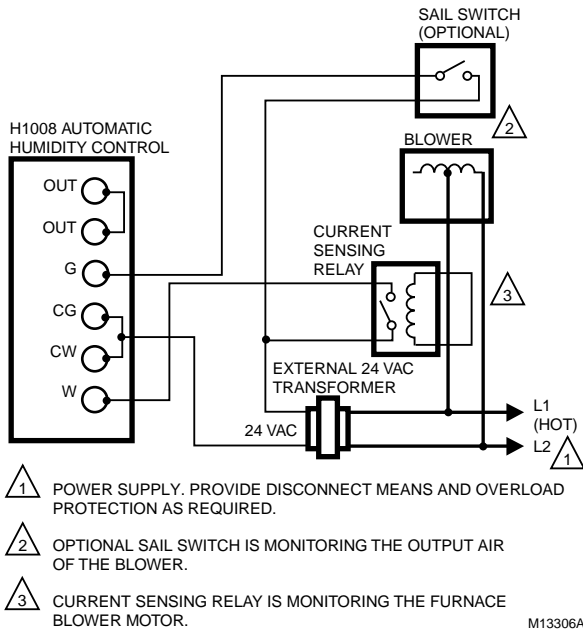
Fig. 9. Wiring for steam humidifiers.



- 1 POWER SUPPLY. PROVIDE DISCONNECT MEANS AND OVERLOAD PROTECTION AS REQUIRED.
- 2 24V WIRING.
- 3 TO PROVIDE HUMIDITY IN FAN MODE, CONNECT G AND CG TERMINALS TO FAN RELAY.
- 4 IN TWO TRANSFORMER SYSTEMS, REMOVE CW/CG FACTORY INSTALLED JUMPER.
- 5 IF USING OUTDOOR TEMPERATURE SENSOR, REMOVE FACTORY INSTALLED JUMPER.
- 6 ISOLATED RELAY CONTACTS.
- 7 HEAT ONLY APPLICATION SHOWN. SIMILAR WIRING REQUIRED IN HEAT AND COOL SYSTEM WITH ONE OR TWO TRANSFORMERS. WHEN HEAT AND FAN OPERATE SIMULTANEOUSLY WITH ONE RELAY, JUMP W TO G AND JUMP CG TO CW.
- 8 POWER SHOULD BE APPLIED TO THIS CONTROL AT ALL TIMES. DO NOT USE FAN BOARD HUMIDISTAT CONTACTS OR CURRENT SENSING RELAY.
- 9 CUT JUMPER FOR DEHUMIDIFIER APPLICATION. (DO NOT CUT FOR VENTILATION SYSTEM.)
- 10 DEHUM TERMINALS SWITCH LOW VOLTAGE DEHUMIDIFIERS, HEAT/ENERGY RECOVERY UNITS OR EXTERNAL CONTACTORS THAT SWITCH HIGH VOLTAGE DEHUMIDIFIERS.
- 11 JUMPER AND DEHUM TERMINALS NOT PRESENT ON H1008A MODEL.

M13297

Fig. 10. Wiring for drum-style humidifiers.



**Fig. 11. Wiring for R7997, R8184, RA116 and RA11 Oil Systems.**

## SETTINGS

### Adjustment

The H1008A,D Automatic Humidity Control with HumidiCalc+™ Software is designed to provide an optimal 50°F (10°C) dewpoint and automatically adjusts the humidity level to prevent window frost or condensation. The H1008A,D activates a ventilator or dehumidifier to lower the indoor humidity level when the house dewpoint rises above 58°F. Outdoor temperature is inferred (without the need for an outdoor sensor), or measured (with optional outdoor sensor) by the HumidiCalc+™ Software. Indoor humidity and temperature information is measured from sensors located on the back of the control. The frost factor, set by using the frost factor dial, allows for variations in furnace oversizing, window insulation and average daily climate temperature. The Automatic Humidity Control with HumidiCalc+™ Software requires an initial adjustment period. To adjust the frost factor, set the frost factor dial to 10 and use Table 1 to adjust the frost factor, only one setting at a time, increasing the dial setting for more humidity, or decreasing the setting if moisture starts to build up on the inside of your windows. For more precise humidity adjustments, set the frost factor between the dial settings. Allow two days for the humidity level to subside before making further adjustments. Once the frost factor has been set, no further adjustment is needed.

**Table 1. Recommended Frost Factor Adjustment.**

Humidity Level	Recommended Adjustment
Condensation on windows	Decrease the frost factor dial by one setting.
Insufficient humidity	Increase the frost factor dial by one setting.

## SYSTEM STATUS

The control has a green indicator light that flashes at varying frequencies to indicate system status. See Table 2 for status descriptions.

**Table 2. System Status.**

System Status	Flash Frequency
Error	1/8 second on, 1/8 second off.
Standby	1 second on, 1 second off.
Test	4 seconds on, 1 second off. Steady on with call for heat or fan.
Call for humidification/dehumidification	Steady on.
Off	Off.

### Error Status

To troubleshoot the system when fault status is indicated:

- If an outdoor temperature sensor is not used:
  - First check to ensure that the OUT terminals are properly shorted together.
  - Then cycle power to the device. If the control continues to flash in the error mode, replace the humidity control.
- If an outdoor temperature sensor is used, disconnect it, short the OUT terminals together, and cycle power. If the error status remains, replace the humidity control. If the error status is eliminated, replace the outdoor temperature sensor.

Control enters the error mode if any sensor reads out-of-range. See Table 3.

**Table 3. Error Messages.**

Sensor	Error Indicated When...
Indoor temperature	Temperature reads below 45°F or greater than 120°F.
RH sensor	RH reads 0 or 100%.
Outdoor temperature	Temperature reads less than -40°F or greater than 120°F.
OUT terminals	At powerup, if sensor is present and later opens or shorts. At powerup, if sensor terminals are jumped and later are open.

## CHECKOUT

NOTE: The furnace blower must be on for the humidifier to operate (does not apply to steam humidifier applications).

### IMPORTANT

*When an outdoor sensor is not installed, allow 12 to 24 hours for the humidifier to start operating. This delay is caused by the method used to determine outdoor temperature conditions. If the furnace is off for more than 24 hours or the outdoor temperature sensor reads greater than 63°F, the control enters an auto off mode where it does not allow humidification until the furnace cycles or the outdoor temperature drops below 60°F. This is to prevent the humidifier and air conditioner from running simultaneously. The control may enter dehumidification mode if the house dewpoint rises above 58°F.*

## Outdoor Temperature Sensor Checkout

Check the thermistor sensor by comparing its resistance to the temperature as measured by an accurate thermometer. The resistance of the thermistor sensor increases as its temperature values drops. Table 4 shows approximate sensor resistance values at various temperatures.

**Table 4. Sensor Resistance at Various Temperatures.**

<b>Resistance (K ohm)</b>	333	99.2	74.3	56.1	32.9	19.9	12.5	10.0	8.04	6.5
<b>Temperature (°F)</b>	-40	-4	5	14	32	50	68	77	86	9.5
<b>Temperature (°C)</b>	-40	-20	-15	-10	0	10	20	25	30	3.5

## Test Mode

Use the following procedure to place the control in the test mode and call for humidification:

1. Turn the frost factor setpoint dial to the Test position.
2. Do one of the following:
  - a. At the thermostat, with the System switch set to Heat and the Fan switch set to Auto, move the temperature setpoint about 10°F (6°C) above the room temperature to call for heat, or
  - b. Set the System switch to Off and the Fan switch to On for continuous fan operation.
3. Verify humidifier and/or dehumidifier/ventilation unit is activated.

In the test mode, the indicator light remains on continuously with a call for heat or fan; otherwise, it remains lit for four seconds and turns off for one second. This flashing sequence continues until the control is taken out of the test mode. After thirty minutes, the control automatically resets to the maximum frost factor setting. If system checkout is not completed within thirty minutes, the test mode can be extended by turning the dial back to one of the dial settings and then returning it to the test mode. After the system has checked out, return the control to the desired frost factor setting. See the Adjustment section.

### Home and Building Control

Honeywell Inc.  
Honeywell Plaza  
P.O. Box 524  
Minneapolis MN 55408-0524

### Honeywell Latin American Region

480 Sawgrass Corporate Parkway  
Suite 200  
Sunrise FL 33325

### Home and Building Control

Honeywell Limited-Honeywell Limitée  
155 Gordon Baker Road  
North York, Ontario  
M2H 3N7

### Honeywell Europe S.A.

3 Avenue du Bourget  
1140 Brussels  
Belgium

### Honeywell Asia Pacific Inc.

Room 3213-3225  
Sun Hung Kai Centre  
No. 30 Harbour Road  
Wanchai  
Hong Kong

**Honeywell**

