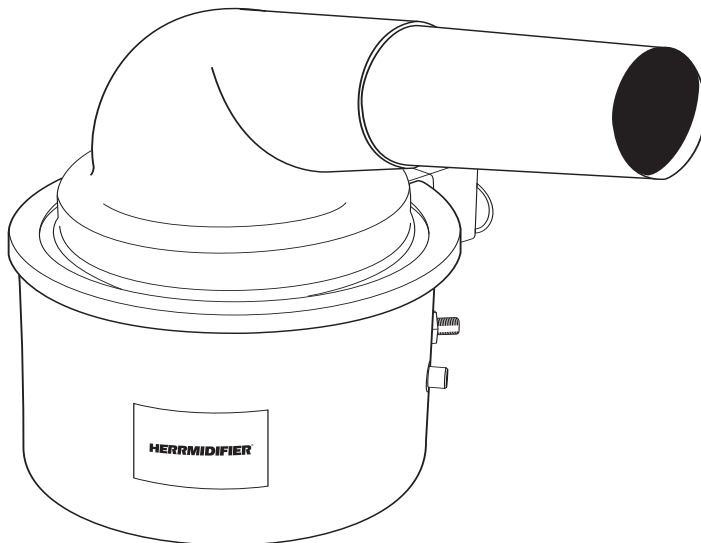


# 707-U

## Atomizing Humidifier



### **PERFORMANCE:**

Save on energy costs and improve comfort. Increasing a home's relative humidity makes it feel more comfortable at 68°F / 20°C than it does at 73°F / 23°C at a low relative humidity level. Lower thermostat settings deliver substantial savings on monthly energy bills.

Evaporative supply capacity distributes up to six gallons per day

### **FEATURES:**

Installation is quick and easy

Easy assembly – just fit the dome snugly on top of the pan – that's it!

120V wall or duct-mount humidistat is easily adjustable from 20% to 80% relative humidity

Centrifugal atomizing humidifiers are installed onto the return duct or as a free-standing unit where a superfine mist is fed directly to a room

Includes an independent mounting bracket and discharge extension to extend through wall for installation flexibility

### **HOW HERRMIDIFIER ATOMIZING HUMIDIFIERS WORK:**

Centrifugal atomizing humidifiers are installed onto the return duct or as a free-standing unit where a superfine mist is fed directly to a room. There are no pads or filters to change, so there is little maintenance needed.

### **WARRANTY:**

2-year limited warranty

| MODEL                    | 707-U  |
|--------------------------|--|
| PART NO.                 | 356686-001C  |
| TYPE OF UNIT             | Centrifugal Atomizer   |
| MAX EVAPORATIVE CAPACITY | 6.0 Gallons Per Day - (0.95 LPH)   |
| VOLTAGE                  | 120 V  |
| UNIT WEIGHT              | 11 lbs (5.0 kg)  |
| SHIPPING WEIGHT          | 13 lbs (5.9 kg)  |
| DIMENSIONS               | 10 1/2" Diameter x 12" H / Packaging - 13 1/4" W x 13 1/4" D x 16 3/4" H<br>(267 mm x 305 mm) / (Packaging - 336 W x 336 D x 425 H mm) |
| WATER SUPPLY             | 1/4" (6.4 mm) Copper or Plastic, 125 psi (8.6 bar), Not Included   |
| DRAIN                    | 1/2 " (13 mm)  |

### Humidifier Capacity Selection Guide

Gallons per day (Liters per hour)

| SQUARE FOOTAGE (METERS) OF HOME | TIGHT HOUSE | AVERAGE HOUSE | LOOSE HOUSE |
|---------------------------------|-------------|---------------|-------------|
| 1000 (92.9 m <sup>2</sup> )     | 0.5 (0.08)  | 5.0 (0.8)     | 10.0 (1.6)  |
| 1500 (139.4 m <sup>2</sup> )    | 3.0 (0.5)   | 10.0 (1.6)    | 16.5 (2.6)  |
| 2000 (185.8 m <sup>2</sup> )    | 5.0 (0.8)   | 14.0 (2.2)    | 24.0 (3.8)  |
| 2500 (232.3 m <sup>2</sup> )    | 7.5 (1.2)   | 19.0 (3.0)    | 30.5 (4.8)  |
| 3000 (278.7 m <sup>2</sup> )    | 10.0 (1.6)  | 23.5 (3.7)    | 37.5 (5.9)  |
| 3500 (325.2 m <sup>2</sup> )    | 14.5 (2.3)  | 33.0 (5.2)    | 51.5 (8.1)  |

- 1 A "Tight Home" is assumed to be well insulated with vapor barriers, tight storm windows and doors, and a dampered fireplace. Air exchange rate of .5 changes per hour.
- 2 An "Average Home" is insulated and has a dampered fire place, but there are no vapor barriers, storm doors, or storm windows. Air exchange rate of 1.0 change per hour.
- 3 A "Loose Home" is generally one constructed before 1930, has little or no insulation, no storm doors, storm windows, weather stripping or vapor barriers, and often no effective dampering of fireplaces. Air exchange rate is as high as 1.5 changes per hour.

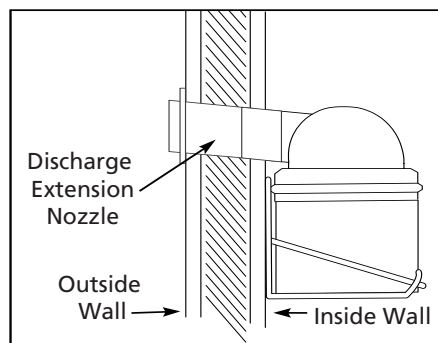
### Evaporative Supply Capacity

Gallons per day (Liters per hour)

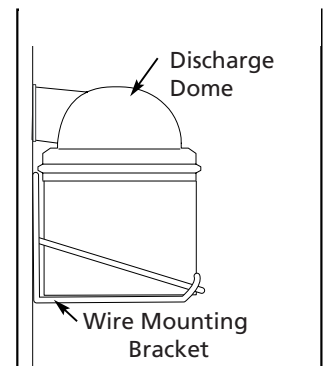
| FURNACE TEMPERATURE | GALLON CAPACITY |
|---------------------|-----------------|
| 100°F / 37.7°C      | 6.0 (0.95)      |
| 120°F / 48.8°C      | 6.0 (0.95)      |
| 140°F / 60°C        | 6.0 (0.95)      |

### Installation Options

Behind A Wall Installation



Return Duct Installation



Trion Inc.  
101 McNeill Road  
Sanford, NC 27330 USA  
Phone: 800-884-0002  
Fax: 800-458-2379  
Form No. H-707U-0507

All product specifications reflect available information at the printing of this brochure. Herrmidifier reserves the right to revise or modify products and/or specifications without notice.

©2007 Herrmidifier is a registered trademark of Herrmidifier Company, Inc.

HR-003-a-0507