

Warranty

MEDIA AIR CLEANER LIMITED TEN-YEAR WARRANTY

This limited warranty covers Fedders Unitary Products Residential Type Media Air Cleaners, excluding door latch, disposable media cartridge, charcoal filter, accessories, ductwork, and installation. CareCo warrants that all new Trion Media Residential Air Cleaners are free from defects in material and workmanship under normal, noncommercial use and service. Trion will remedy any such defects if they appear within ten years from the date of original installation as evidenced by Proof of Purchase from an Authorized Trion Dealer, subject to terms and conditions of this Limited Ten-Year Warranty stated below:

1. THIS LIMITED TEN-YEAR WARRANTY IS GRANTED BY CARECO, 415 WABASH AVE., P.O. BOX 200, EFFINGHAM, IL 62401..
2. This warranty shall extend only to any noncommercial owner who has purchased the residential Media Air Cleaner other than for purposes of resale.
3. All components are covered by this limited warranty except expendable items such as charcoal filters and filter cartridges.
4. If within the warranty period, any Trion residential Media Air Cleaner unit or component requires service, it must be performed by a competent heating and or air conditioning contractor (preferably the installing contractor). CareCo will not pay shipping charges or labor charges to remove or replace such defective parts or components. If the part or component is found by inspection to contain such defective material and workmanship, it will be either repaired or exchanged-free of charge at CareCo's option, and returned freight collect.
5. In order to obtain the benefits of this limited ten-year warranty, the owner must notify the dealer or distributor in writing or by phone, of any defect within 30 days of its discovery. If after reasonable time you have not received an adequate response from the dealer or distributor, notify in writing: CareCo Warranty, 415 Wabash Avenue Effingham, IL 62401 or e:mail to: fiacustomerservice@fedders.com
6. This limited warranty does not apply to any part or component that is damaged in transit or when handling, has been subject to misuse, neglect or accident, has not been installed, operated and serviced according to Fedders Unitary Product's instruction, has been operated beyond the factory rated capacity, or altered in any such way that its performance is affected. There is no warranty due to neglect, alteration or ordinary wear and tear. Fedders Unitary Product's liability is limited to the replacement of defective parts or components and does not include the payment cost of labor charges to remove or replace such defective parts.
7. CARECO WILL NOT BE RESPONSIBLE FOR LOSS OF USE OF ANY PRODUCT, LOSS OF TIME, INCONVENIENCE, OR ANY OTHER INDIRECT, INCIDENTAL OR CONSEQUENTIAL DAMAGES WITH RESPECT TO PERSON OR PROPERTY, WHETHER AS A RESULT OF BREACH OF WARRANTY, NEGLIGENCE OR OTHERWISE. SOME STATES DO NOT ALLOW THE EXCLUSION OR LIMITATION OF INCIDENTAL OR CONSEQUENTIAL DAMAGES, SO THE LIMITATION OR EXCLUSION IN THE PRECEDING SENTENCE MAY NOT APPLY TO YOU.
8. THIS WARRANTY GIVES YOU SPECIFIC RIGHTS, AND YOU MAY ALSO HAVE OTHER RIGHTS WHICH VARY FROM STATE TO STATE.
9. Any warranty (express, implied or statutory), representation, or guarantee other than those set forth herein, shall expire at the expiration date, of this express limited warranty. SOME STATES DO NOT ALLOW LIMITATIONS ON HOW LONG AN IMPLIED WARRANTY LASTS, SO THE LIMITATION IN THE PRECEDING SENTENCE MAY NOT APPLY TO YOU.
10. Fedders Unitary Products reserves the right to make changes in the design and material of its products without incurring any obligation to incorporate such changes in units completed on the effective date of such a change.

CareCo

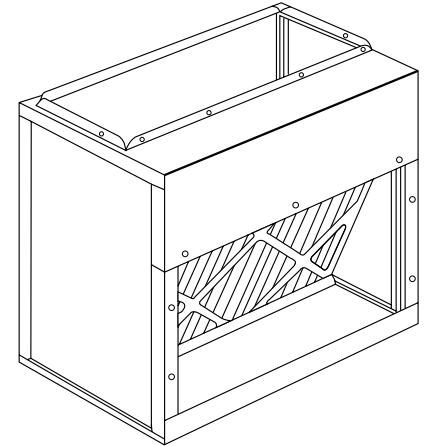
415 Wabash Ave., P.O. Box 200, Effingham, IL 62401,

Phone: 1-866-829-2440

email: fiacustomerservice@fedders.com

TRION[®]
by **FEDDERS**

Air Bear[®] Right Angle Media Air Cleaner



Installation • Operation • Maintenance

CAUTION:

READ INSTALLATION, OPERATION, AND MAINTENANCE INSTRUCTIONS CAREFULLY FOR SAFE OPERATION.

Table of Contents	Page
Introduction	1
Specifications.....	2
Installation.....	3
Maintenance	5
Warranty	6

Maintenance

The filter cartridge in your air cleaner must be replaced periodically. The frequency of filter replacement is best determined by visual examination. On average, filter cartridges should be replaced every 9-12 months with normal usage.

Steps for Replacing Filter Cartridge

1. Open access door by lifting the handle and pulling the bottom of the door toward you. Remove door completely.
2. Tilt used filter cartridge to allow filter to be removed from cabinet. Pull used filter cartridge from cabinet.
3. Discard dirty filter cartridge in plastic bag in which replacement filter was received.
4. Slide new filter cartridge into cabinet with "AIR FLOW" arrow pointing in the direction of air flow. Care shall be exercised to place filter cartridge in angle holders on bottom and side of cabinet.
5. Replace access door.

Note: Your installing dealer can supply media air cleaner replacement filter cartridges. Remember, periodic inspection and replacement of your filter will ensure high efficiency air cleaning with the frequency of filter replacement best determined by visual inspection.

Air Cleaner Model	Filter Cartridge Size	Replacement Filter Cartridge Part Number	Number of Filters Per Carton
Air Bear Right Angle	5 x 19 3/4" x 24 1/4"	255649-102	3

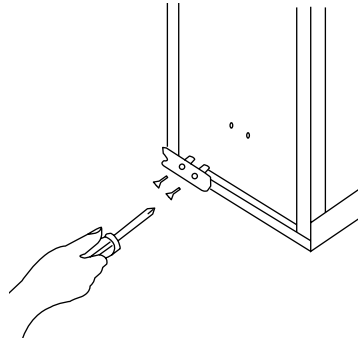
Select location for the Air Cleaner

Select a location that is readily accessible for periodic inspection and cleaning. Allow a minimum of 30" in front of the access panel for filter removal.

Direction of Airflow Through the Air Cleaner

Note: The air cleaner is designed for easy access from either side. Select the location and locate air cleaner opening next to furnace. Install the door handle on the front panel to allow easy access for filter cartridge removal. The direction arrow on the filter cartridge must point in the direction of air flow.

Mounting holes are provided in the air cleaner cabinet for duct work attachment. The .140" holes are sized for #8 sheet metal screws or 1/8" rivets.

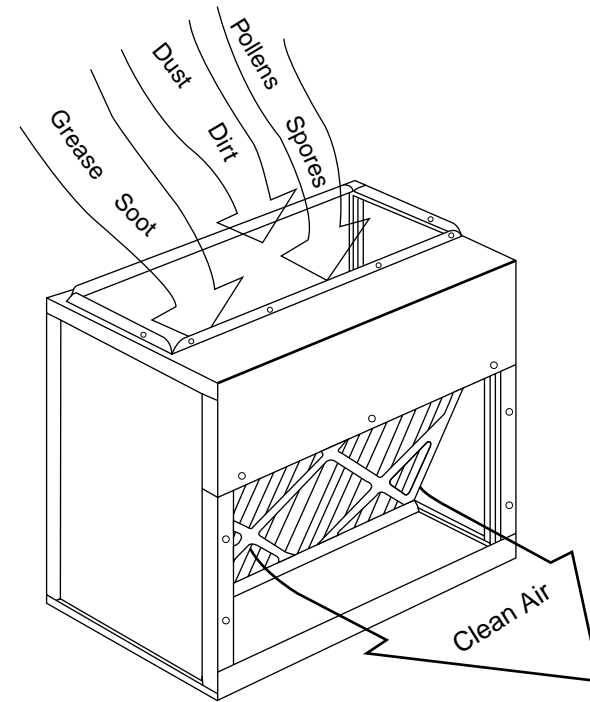


Introduction

Your media air cleaner is a high efficiency air filtration device designed to remove dirt, dust, pollen and other microscopic particles from the air passing through it.

How it works

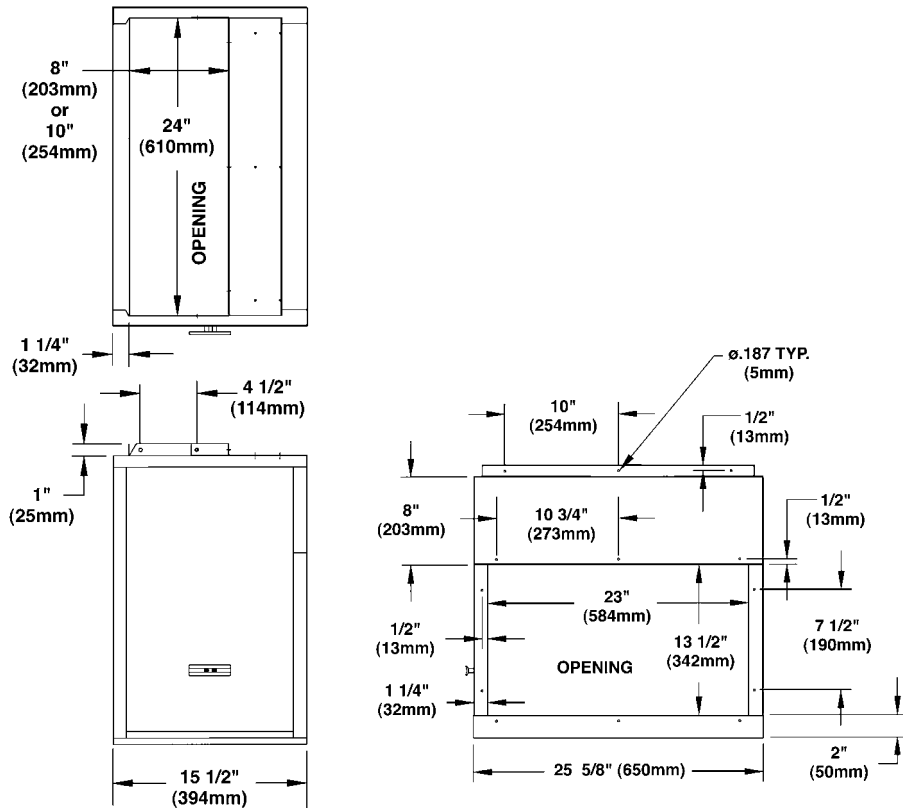
Dirty air enters the air cleaner by way of the return air duct system in your home. Particles are collected by the special pleated filter media. The pleats provide an exceptionally large filtering face area in a very compact space which allows maximum dirt holding capacities with minimum air flow resistance.



Specifications

Capacity in CFM	Pressure Drop Inches W.G.
600	.03
800	.05
1000	.07
1200	.10
1400	.14
1600	.18
1800	.22
2000	.27

Dimensions



Installation

Application

The air cleaner is to be installed in a forced air heating, cooling, and ventilating system. It should be installed in the system such that all the system air is circulated through the air cleaner. The air cleaner will only remove the airborne contaminants delivered to it; therefore maximum performance is obtained when the system blower is set for continuous operation.

Installation Requirements

Locate the air cleaner in the return air duct next to the blower compartment. In this location, the blower motor and cooling coils will be kept clean.

Air Conditioning

The air cleaner should be installed upstream of the cooling coil to keep the coil clean and reduce air conditioning coil maintenance. Improved cooling efficiency is the result of clean coils which directly affects energy costs. Failure to replace filter cartridge can cause damage to cooling system and increase utility bills.

Sheet Metal Installation

This right angle media air cleaner is adaptable to all new or existing residential forced air furnace and cooling systems with Highboy Space Saver or offset installation.

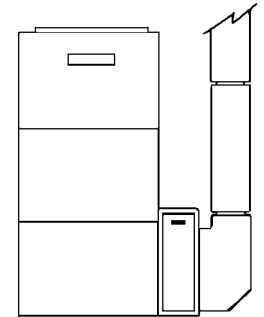
Air Cleaner Installation and Maintenance

This right angle media air cleaner has been designed specifically for highboy furnaces and direct installation to your heating and cooling system return air duct.

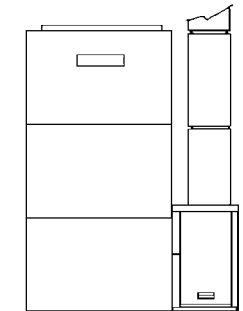
The duct opening of your air cleaner is supplied with an adjustable inlet flange.

The unit is shipped with the flange set at 24" x 8". If the incoming duct is 24" x 8", attach the duct directly to the flange and secure with sheet metal screws through the pre-drilled holes.

If flange requires adjustment to 24" x 10", remove the five #6 sheet metal screws securing the flange to the cabinet. Adjust flange to 24" x 10" and secure with screws. Proceed with installation.



Traditional Installation of air cleaner



Installation of Right Angle Media Air Cleaner