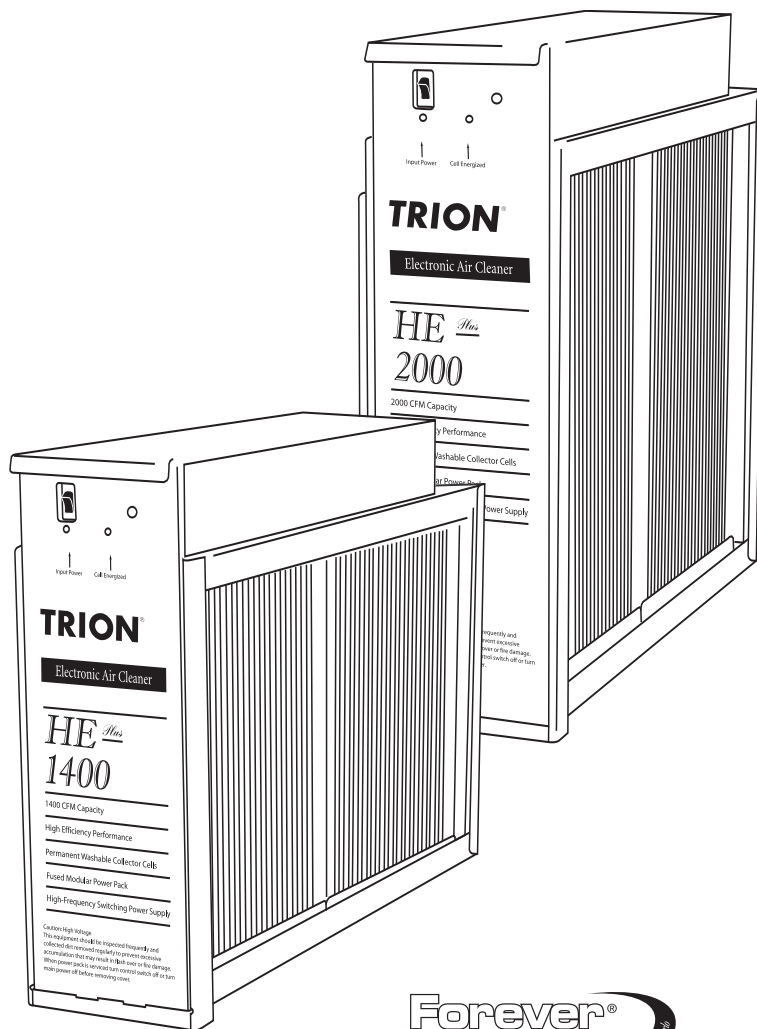


# HE Plus 1400/2000

## Electronic Whole-House Air Cleaners



### PERFORMANCE:

Rated air flow up to 2000 cfm

Tested in accordance with ANSI/ASHRAE 52.1-1992

Aluminum mesh pre-filter traps large particles such as dirt, lint and pet hair

### FEATURES:

The strongest, most reliable power supply and the sturdiest cell in the industry – recognized by dealers nationwide

Forever Filter<sup>®</sup> never needs replacing – just clean and reuse

Connects directly to heating or cooling system

Permanent, washable aluminum collection cells deliver longer service life and are easy-to-clean

Greater overall HVAC system efficiency because units keep cooling coils clean

Electronic airflow sensor – standard on HE Plus 1400/2000 models. Automatically senses air movement within the duct, resulting in reduced power usage.

Built-in internal fuse protects the 24V transformer in the event of a power supply failure

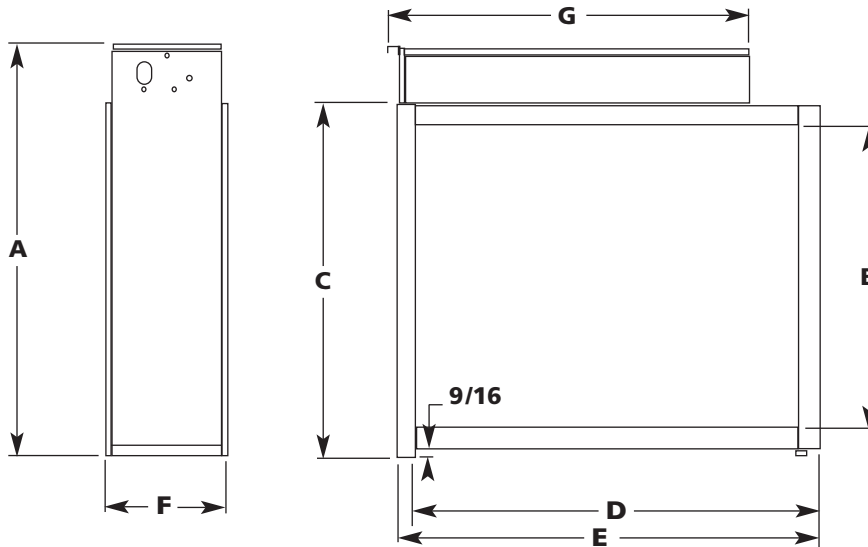
All units are UL/C-UL listed and are easily converted to 240V

Rugged cabinet construction for long life

Optional charcoal after-filter greatly reduces common household odors

# HE Plus 1400/2000

MODEL	HE PLUS 1400—16x25	HE PLUS 1400—20x20	HE PLUS 2000—20x25
SKU NUMBER	633-2703	633-2706	633-2705
Part No.	455601-001	455603-001	455600-001
Max. Capacity	1400 cfm (2379 m <sup>3</sup> /hr)	1400 cfm (2379 m <sup>3</sup> /hr)	2000 cfm (3398 m <sup>3</sup> /hr)
Cell Weight	(2) 10 lbs. (4.5 kg) each	(2) 9 lbs. (4.1 kg) each	(2) 12 lbs. (5.4 kg) each
Unit Weight	32 lbs. (14.5 kg)	35 lbs. (15.9 kg)	36 lbs. (16.3 kg)
Electrical Input	120 V, 50 Hz / 60 Hz, 1 ph	120 V, 50 Hz / 60 Hz, 1 ph	120 V, 50 Hz / 60 Hz, 1 ph
Electrical Output	2.5 mADC	2.5 mADC	3.2 mADC
<b>Dimensions — inches (mm)</b>			
A	20 1/4 (514)	24 1/4 (616)	24 1/4 (616)
B	13 7/8 (352)	17 7/8 (454)	17 7/8 (454)
C	16 15/16 (430)	20 15/16 (532)	20 15/16 (532)
D	22 1/2 (572)	19 (483)	22 1/2 (572)
E	24 7/8 (632)	21 3/8 (543)	24 7/8 (632)
F	7 1/8 (181)	7 1/8 (181)	7 1/8 (181)
G	21 7/16 (545)	18 5/8 (473)	21 7/16 (545)



Trion  
 101 McNeill Road  
 Sanford, NC 27330  
 Phone: 800 884-0002 Fax: 800-458-2379  
 www.trioninc.com  
 Form No. T-ABS-1206



All product specifications reflect available information at the printing of this brochure. Trion reserves the right to revise or modify products and/or specifications without notice. ©2006 Trion Inc.  
 Trion is a registered trademark of Trion, Inc.

TR-014-1206

**TRION**