

SC-500 ELECTRONIC AIR CLEANER



MODEL NO. 05C11E-41002

OPERATION AND INSTALLATION MANUAL

WHAT IT DOES

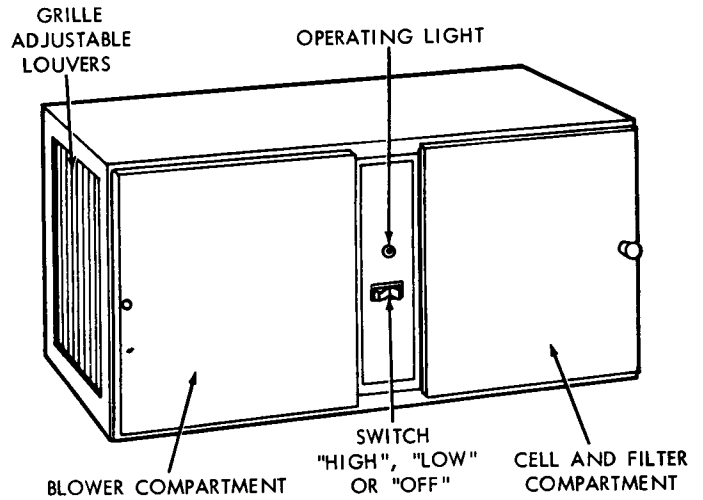
Your new Self-Contained electronic air cleaner is one of the latest appliances in this modern age of electronics.

The air cleaner is designed to remove a high percentage of dirt, dust, cooking and tobacco smoke, pollen, bacteria and other airborne contaminants from a room when operating.

Most of these particles cannot be seen except with a microscope, unless they are as highly concentrated as tobacco smoke. These contaminants cause stains and discoloration on your walls and draperies when they collect in your place of business.

The staining and soiling particles are far too small to be removed by a flat furnace filter. Particles as small as one twenty-five thousandth of an inch (1/25,000") are efficiently removed from the circulating air by an electronic air cleaner.

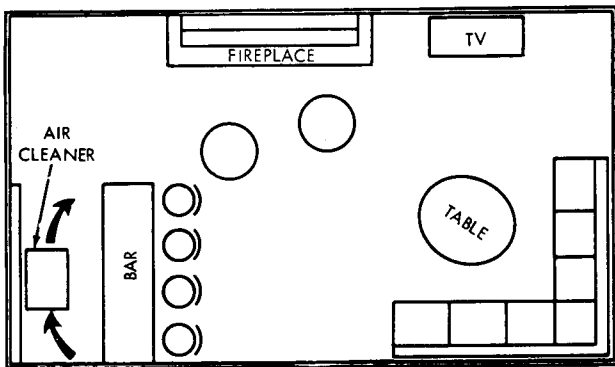
Your Self-Contained, electronic air cleaner will keep the air clean in a room measuring 18' x 20' with a 8' ceiling, at the high blower speed. A room measuring 15' x 18' with a 8' ceiling will be cleaned at the low blower speed. Both room sizes are based on 10 air changes per hour. Larger rooms can be cleaned by installing multiple units.



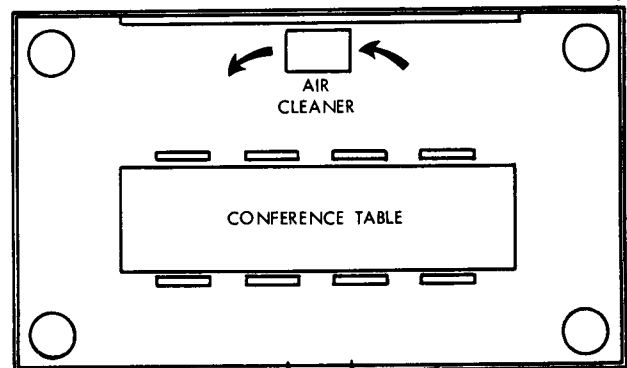
WHAT IT WILL NOT DO

Your new electronic air cleaner will not remove lint or other large particles that fall out of the air before being drawn into the air cleaner. These particles may show up on a flat surface such as a desk or table top, but they are not the type of particles that cause soiling and staining, with resulting cleaning and redecorating bills.

INSTALLATION



COCKTAIL LOUNGE — UNIT SUSPENDED UPSIDE DOWN TO DEFLECT AIR AWAY FROM CUSTOMERS AT BAR.



TYPICAL CONFERENCE ROOM — THE UNIT SHOULD NOT BE LOCATED WHERE AIR MOVEMENT WOULD BE RESTRICTED. PROPER AIR CIRCULATION SHOULD BE MAINTAINED TO INSURE A GOOD CLEANING PERFORMANCE.

LOCATION

The best location for a self-contained unit is in a position where airflow is not impeded, closest to the concentration of tobacco smoke and dirt producing activities. Care should be executed so that the unit does not discharge air directly upon seating areas.

MOUNTING

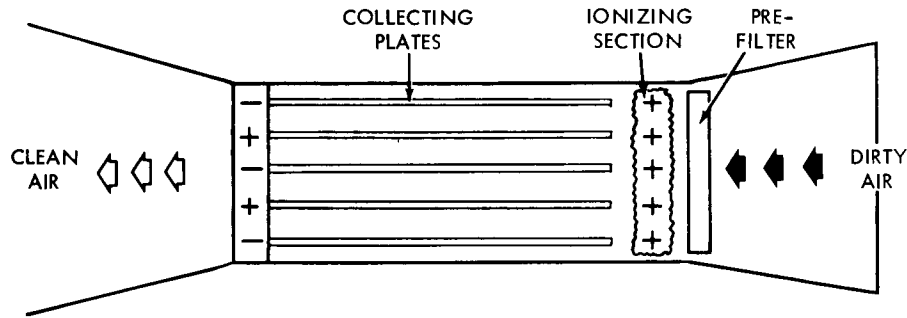
The unit is manufactured for right-to-left airflow. However, this can be reversed by installing the unit in an upside-down position. Eight internal mounting nuts (four top, four bottom) are included so that threaded rods can be used to hang the unit from the ceiling. Optional shelf mounting brackets are available with a slight additional charge.

OPERATIONAL DATA

Your self-contained Electronic Air Cleaner can be plugged into a standard wall receptacle with the 9' power cord that is attached to the unit.

- TWO SPEEDS** HIGH 480 CFM
- LOW 360 CFM
- POWER REQUIREMENTS** ... 120 Volts 60 Cycle
- WATTAGE CONSUMED:** 250 Watts
- DIMENSIONS:** ... 19 in. Wide, 26.5 in. Long and 12.5 in. High
- WEIGHT:** 51 lbs

HOW IT WORKS



The dirty air is drawn through the side grill until it reaches the air cleaner collecting cell inside. First, lint particles are trapped by the pre-filter. Then the dirty air passes through the ionizing section of the cell where all the particles receive a strong electrical charge. The charged particles are carried by the air to the collecting plates of the cell, where they are pulled to the plates by a strong electric force. The effect is similar to that of iron filings being pulled by a magnet. The clean air is then circulated through the opposite end of the air cleaner and into the living area.

HOW TO OPERATE YOUR NEW SELF CONTAINED, ELECTRONIC AIR CLEANER

1. Plug the power cord into an electrical outlet.
2. Position the switch to "LOW" or "HIGH" as desired. You may wish to leave it on "HIGH" for the first hour or two, then switch to "LOW" for continued operation.
3. The operating light will be illuminated when the air cleaner is operating properly.

MAINTENANCE

CLEANING THE CELL (weight 7 lbs.)

Approximately once a month the air cleaner's collecting cell should be removed and washed.

Push the High and Low Switch to the "OFF" position; and wait 15 seconds for the collecting cell to automatically discharge.

Open the cell access door by pulling on the knob. The cell is held in position during operation by a spring latch attached to the bottom of the cabinet. Remove the pre-filter.

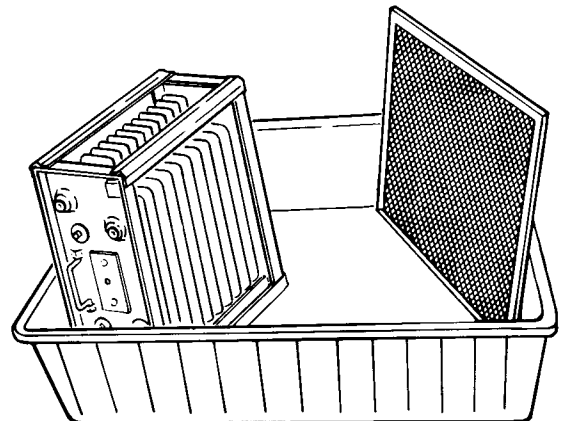
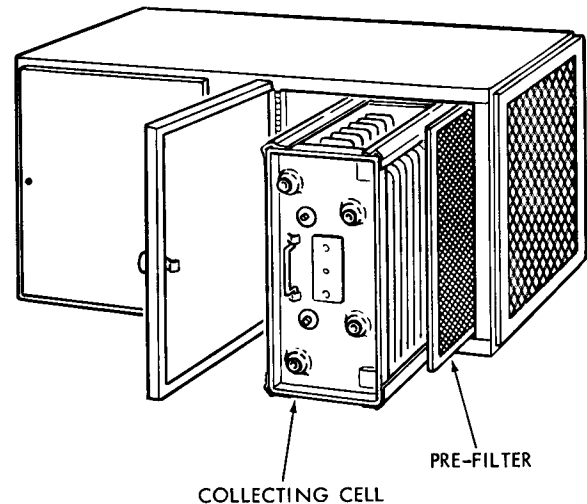
Depress the spring latch and slide the cell out of the cabinet. Immerse the cell and pre-filter in a solution of hot water (140° F) and dishwasher type detergent. Rinse the cell and pre-filter with warm water. Remove and allow the cell and pre-filter to dry for two hours in a standing up position.

Replace the cell in the cabinet shelf, making sure contact is made with the cell contact as indicated on the end of the collecting cell. Also, reinsert the pre-filter. Close the cell access door.

Position switch to "LOW" or "HIGH" to operate the air cleaner. The operating light should be on; and the blower should be moving air.

NOTE: When the power is turned on after washing the cell, arcing (loud cracking noise) may occur for a short time. Arcing will not damage the cell and will stop in a short while.

Regular washing of the collecting cell and pre-filter will insure maximum efficiency from the electronic air cleaner. The washing schedule may vary in frequency, depending on the dirt load encountered at installation site.



**PARTS LIST FOR ELECTRONIC AIR CLEANER
MODEL NO. 05C11-41002**

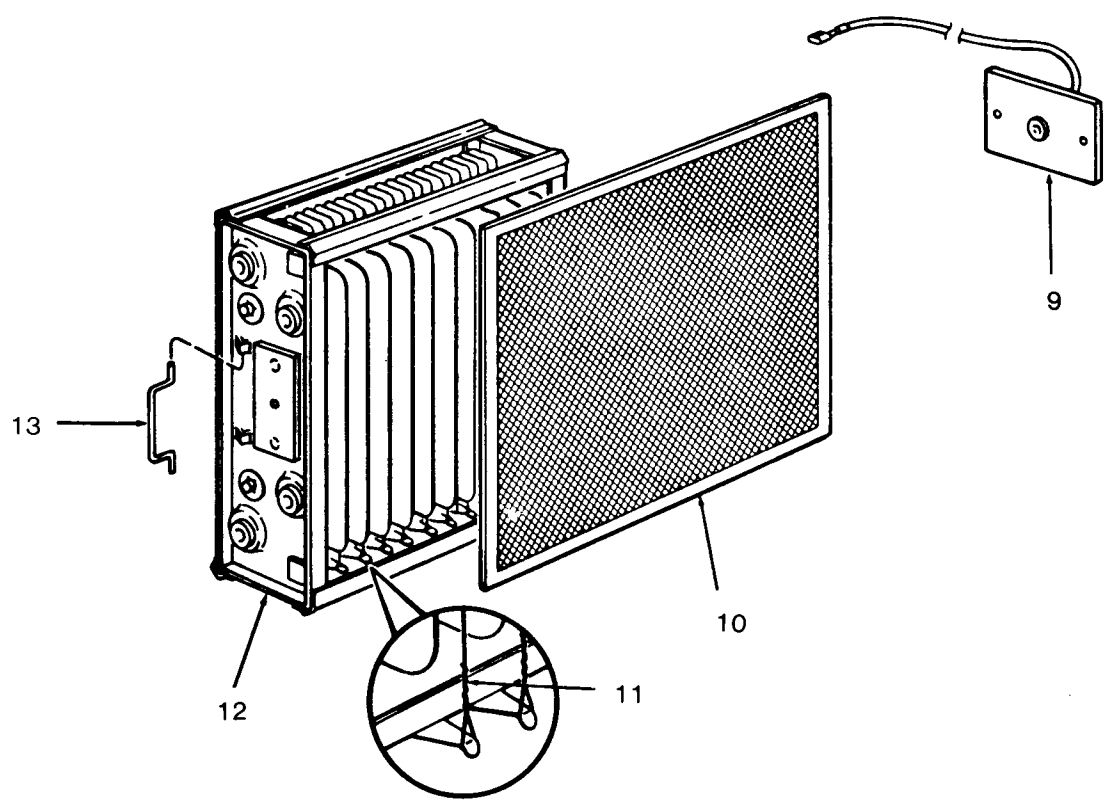
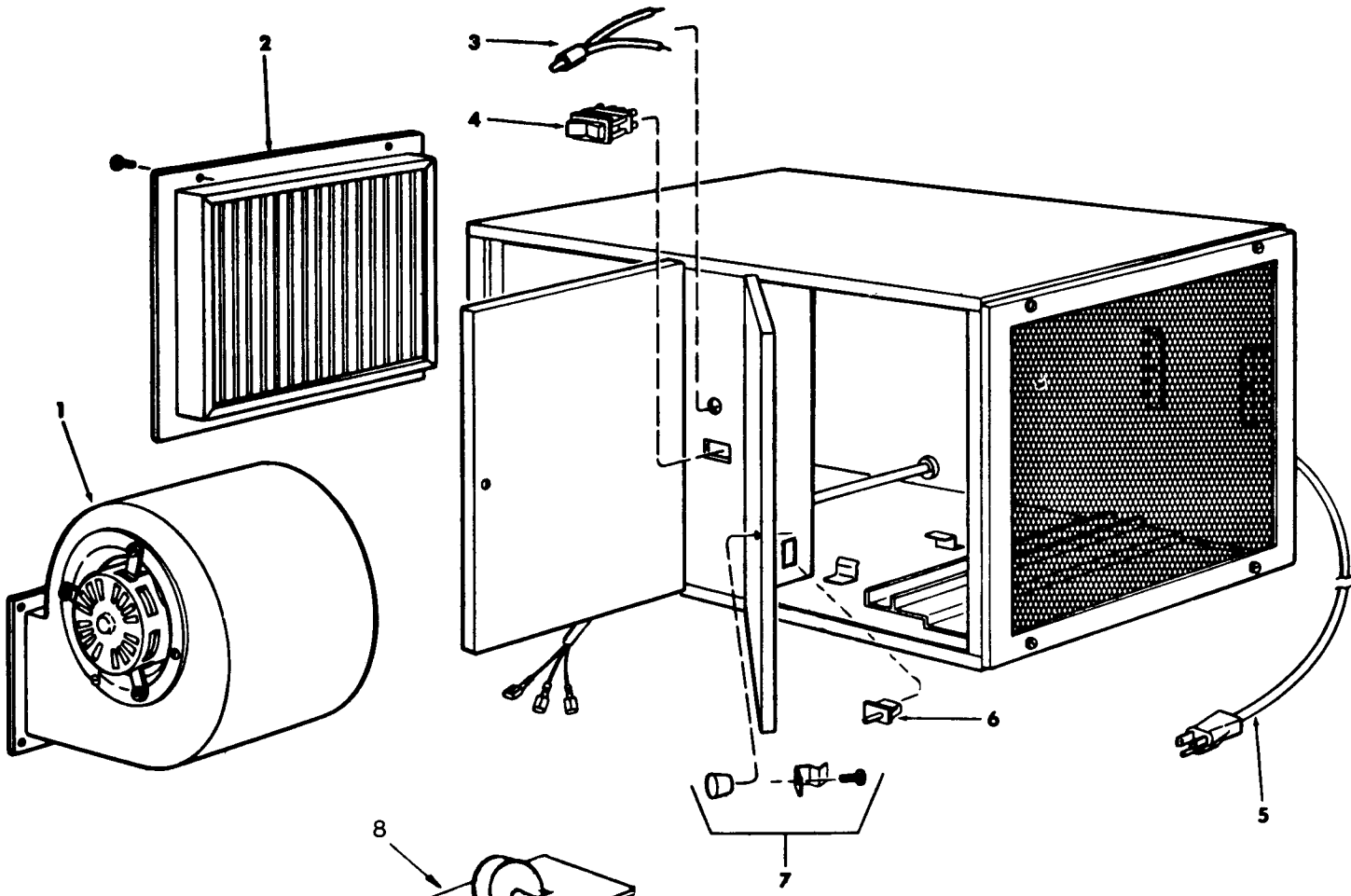
WHEN ORDERING REPAIR PARTS, ALWAYS GIVE THE FOLLOWING

1. The PART NUMBER
2. The PART DESCRIPTION
3. The MODEL NUMBER
4. The NAME OF ITEM — Electronic Air Cleaner

Always Order by "Part Number"... Never by "Item No."

Item No.	Part No.	Description
1	F848-0281	Direct Drive Blower
2	F831-0085	Grille Assembly
3	F844-0136	Light
4	F876-0183	Operating Switch
5	F848-0305	Power Cord Assembly
6	F876-0188	Safety Switch
7	F839-0011	Knob and Latch
8	F858-0707	Power Supply
9	F819-0144	Cell Contact Board
10	F825-0327	Pre-Filter
11	F843-0777	Ionizing Wire
12	F811-0313	Collecting Cell
13	F832-0039	Cell Handle
+	F806-0480	Wall Mounting Brackets (Optional)
+	F801-0132	Table Top Kit (Optional)
+	846-0265	Owners Manual

+ Not Illustrated



Service hints . . .

“The following instructions are for use by qualified personnel. WARNING: The following procedures will expose hazardous live parts. Disconnect electrical power to air cleaner before proceeding.”

If your Electronic Air Cleaner does not operate, check the following:

1. Is the operating light on? If so, power is being supplied to the unit and blower fan should be running.
2. Is the power plug securely inserted in electrical outlet?
3. Is power being supplied to the electrical outlet? (Check house fuses or circuit breaker.)
4. Is the switch positioned to either “LOW” or “HIGH” speed?
5. Is the cell access door closed? (The interlock switch must be pushed in.)
6. Is the collector cell installed properly and retained by cell latch? Cell plunger contact must face toward cabinet and line up with electrical contact board assembly in cabinet.

CONDITION	INDICATION
<ul style="list-style-type: none"> •Indicator light “on” •Blower operating (high or low) 	Unit operating correctly
<ul style="list-style-type: none"> •Indicator light “blinking” •Blower operating (high or low) 	Problem located in cell. <ol style="list-style-type: none"> 1. Clean cell if dirty. 2. If ionizing wires have collected dust particles, wipe clean with damp cloth.
<ul style="list-style-type: none"> •Indicator light “off” •Blower operating (high or low) 	<ol style="list-style-type: none"> 1. Remove cell from cabinet. 2. If indicator light comes “on” problem is in collecting cell. 3. If indicator light remains “off” problem is in the D.C. Power Supply. (Contact your local service technician or dealer.)

WHITE-RODGERS

White-Rodgers Division, Emerson Electric Co.
9797 Reavis Road, St. Louis, MO 63123
(314) 577-1300

